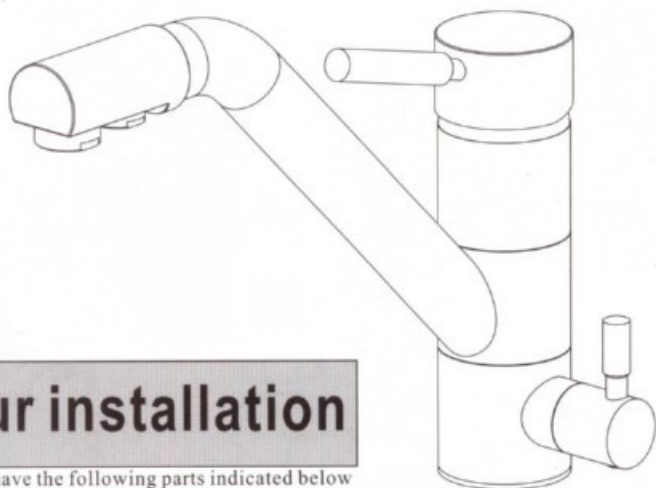


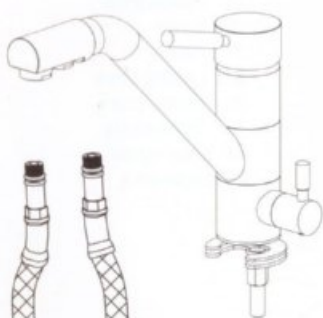
# Installation Instruction

## Three Flow Kitchen Faucet



### Before your installation

please check to make sure you have the following parts indicated below



### Tools you will need



Allen wrench (2.5mm)



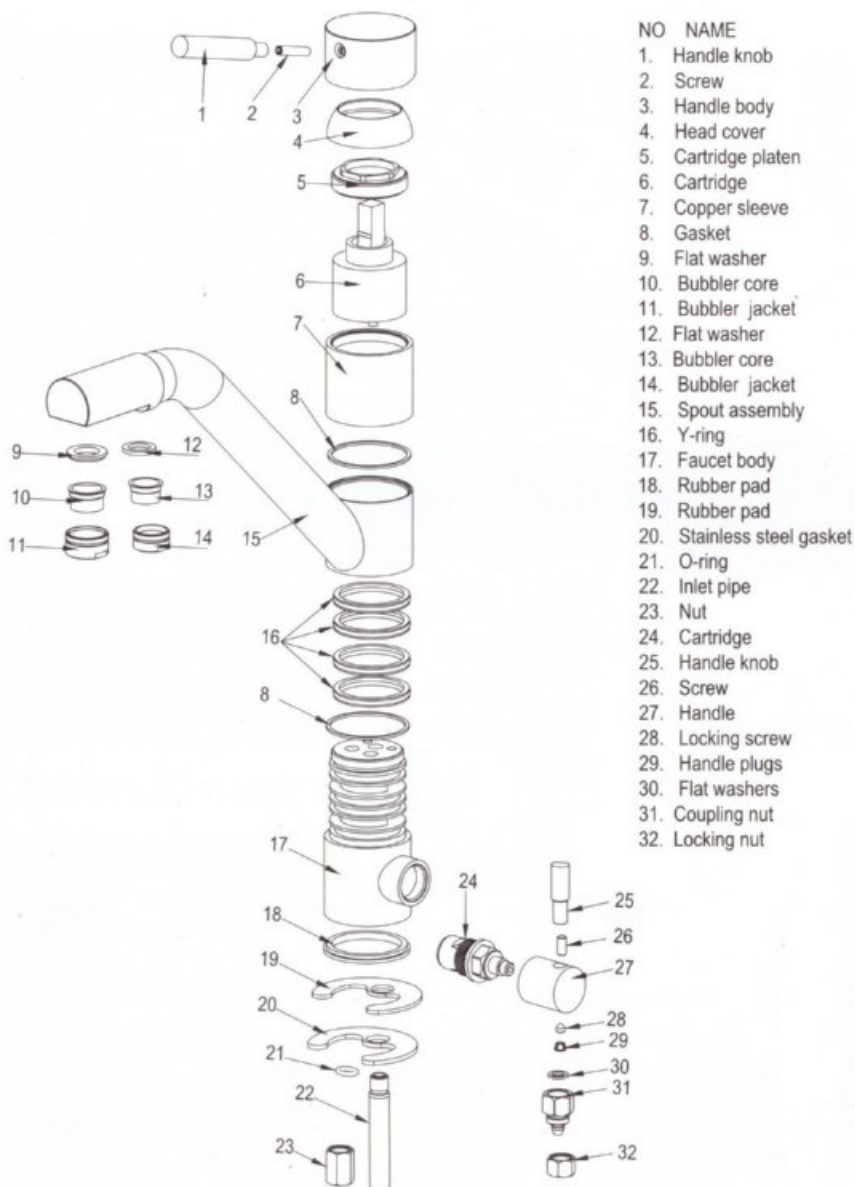
Pipe tape



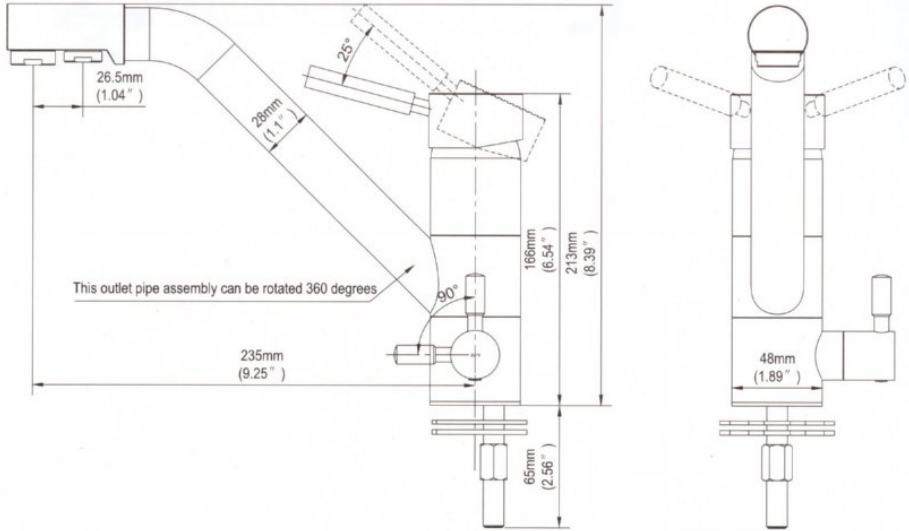
Monkey wrench

# Replacement parts

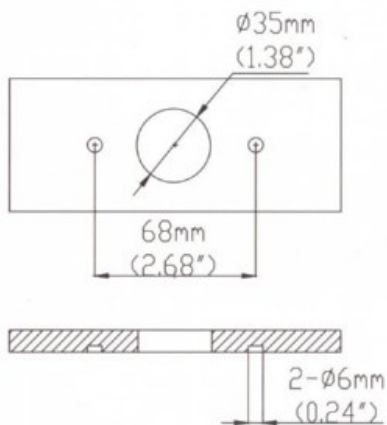
Keep this manual for ordering replacement parts



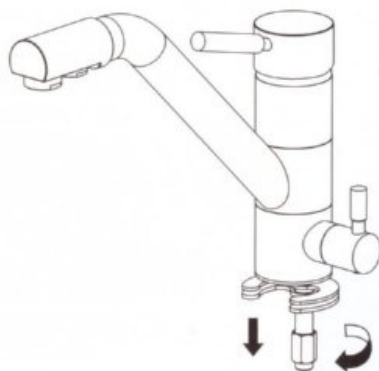
# Product Dimension Drawing



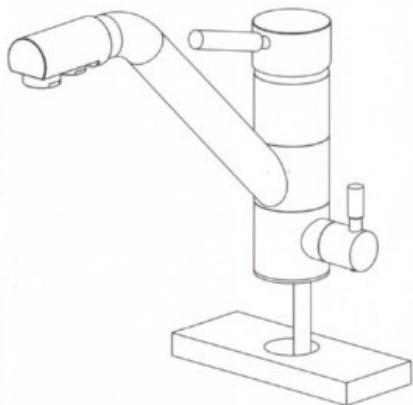
# Faucet Installation Procedures



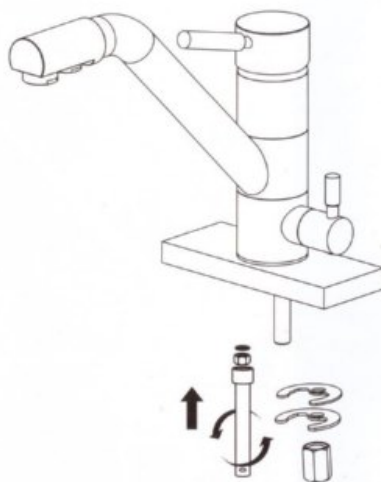
Step ①



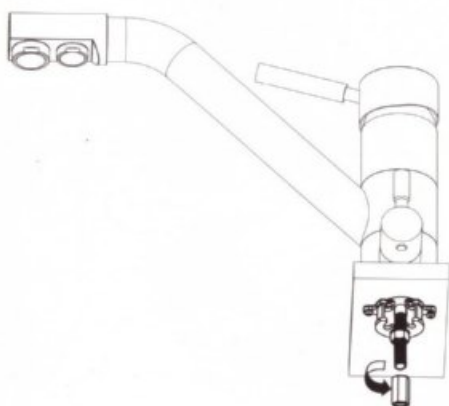
Step ②



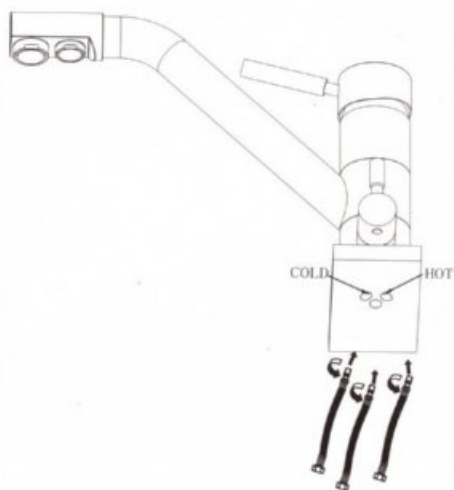
Step ③



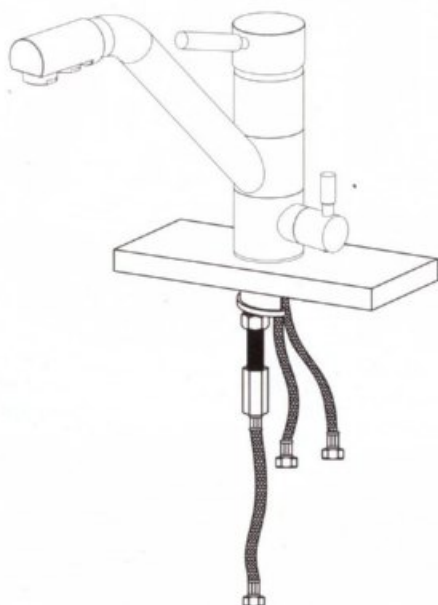
Step ④



Step ⑤



Step ⑥



## Step ⑦



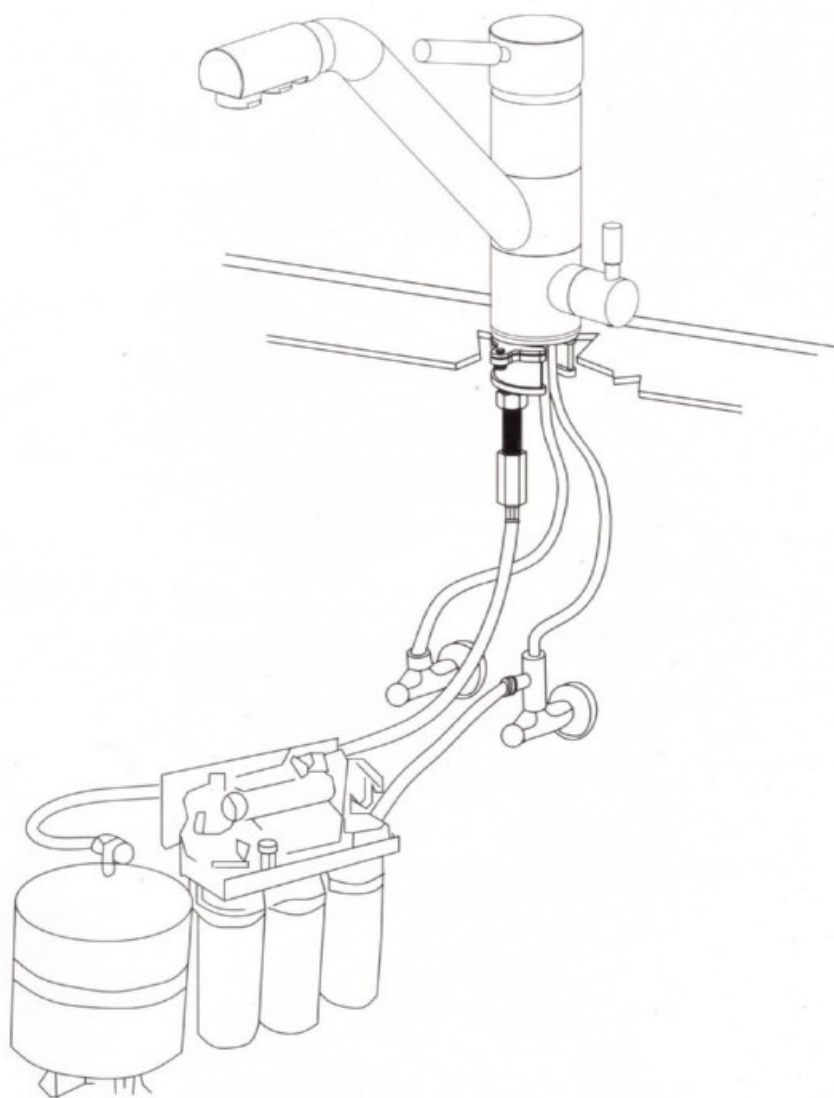
## Step ⑧



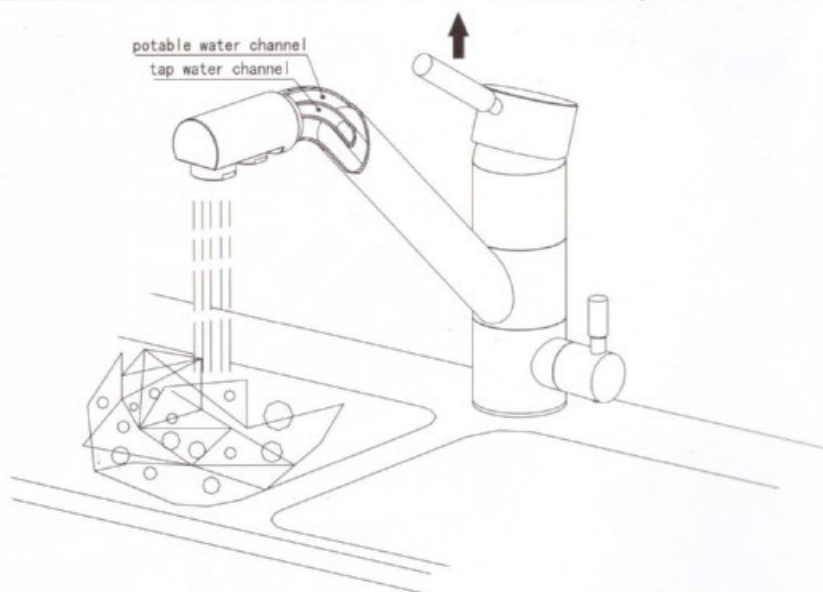
### Notice:

Please removing all of the sand, silt and other things from the water hose before assembling, to avoid blocking the faucet and effecting water rate. Please use the special tools to disassemble it and wash with pneumatic equipment, if the faucet blocked.

Step ⑨



Step ⑩



Step ⑪

